

# XpressChef™

Project #: \_\_\_\_\_

Item #: \_\_\_\_\_



## Market Regions: Asia & Oceania

**XpressChef™ 2c Series | Heavy Volume**  
This category of high speed oven is ideal for...

### Applications

- Cafés
- Bakeries
- Wine bars
- Pubs
- Supermarkets
- Convenience stores
- Country clubs
- Kiosks

### Through put potential by oven wattage (quantity per hour)

Food item	1400W	1900W
Lava Cake	36	36
Chicken Pot Pie	15	19
Biscuits (6)	14	14
Scones	16	18
Baked Brie	14	16
Artichoke Dip	25	27
30cm (12") Pizza	12	15
Large Baked Potato	9	11

### Location of Oven(s)

- Kitchen shelf
- Kitchen counter top, single or stacked
- Equipment stand, single or stacked

All ACP, Inc. commercial ovens are supported by our Culinary Center. Do not hesitate to contact us for any questions regarding food preparation, menu development and cooking times: [testkitchen@acpsolutions.com](mailto:testkitchen@acpsolutions.com)



## High Speed Combination Oven XpressChef™ 2c Series

### Combines cooking energies for superior baking results FAST!

- 2700W Convection enhances toasting and browning
- 95°– 250°C (200°– 475°F) temperature range
- 1400 or 1900W top antenna feed microwave system heats quickly, reduces cooking time
- Flexible cooking platform. Use any combination of convection and microwave

### Simplifies cooking

- **Ventless Options:** "V" models feature built-in catalytic converter for ventless operation
- Stackable without a kit, to increase throughput and save valuable counter space
- 34 liter (1.2 cubic ft.) oven capacity easily accommodates a 30cm (12") pizza

### Multi-language universal operation, with programming flexibility

- Oven interface and programming software support 20 languages
- Smart USB connectivity standard
- Compatible with ACP Programming Application
- Stores up to 100 programmable menu items

### Cuts Costs

- Uses less energy than a conventional oven
- Eliminates need for pre-cooking and holding
- Uses quarter-size metal trays, pans and screens

### Easy to Use and Maintain

- Stainless steel exterior and interior
- Door opens 90°+ for full access to the oven cavity

### Optional Accessories

- Oven paddle (PA10)
- Magnetic air filter (AF10)
- Panini grill plate (JR10)
- Pizza Stone (ST10C)
- Drip Tray/Griddle (DR10)
- Non-stick baskets (TB10/S, SB10/S, MB10/S)
- Non-stick cavity liners (TL12)
- Oven floor liner (OV10)
- Stainless cart/equipment stands: (CA24, CA30)
- Replacement oven rack (RA14)

### Warranty

Warranty Certificate for this product can be found on the ACP, Inc. website at [www.acpsolutions.com/warranty](http://www.acpsolutions.com/warranty)



### Safety and Sanitation

This ACP, Inc. product meets and exceeds safety and sanitation standards set for commercial microwave ovens by UL, ETL, NSF, CSA, FDA, CE, Bureau of Standards, Metrology and Inspection (BSMI), Bureau of Indian Standards (BIS), Standards Association of Australia (SAA) Regulatory Compliance Mark (RCM) certified, and Korea Certification (KC).



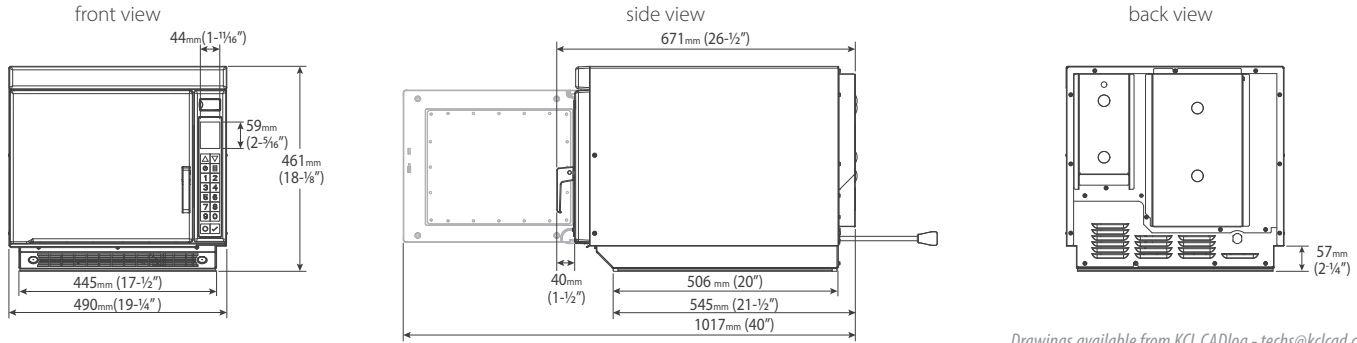
For other market regions, please see product literature online



© 2020 ACP, Inc.  
Cedar Rapids, Iowa 52404

# XpressChef™ 2c Series | High Speed Combination Oven

Asia & Oceania



Drawings available from KCL CADlog - techs@kclcad.com

## Dimensions

<b>Exterior</b>	H 461 (18 1/8")	W 490 (19 1/4")	D† 671 (26 1/2")
<b>Cavity</b>	H 267 (10 1/2")	W 330 (13")	D 381 (15")
<b>Usable Cavity Space</b>	34 liter (1.2 cubic ft.)		
<b>Door Depth</b>	1017 (40"), 90°+ door open		
<b>Installation Clearance</b>	Top: 102 (4")	Sides: 25 (1")	Back: None
<b>Shipping Carton</b>	H 546 (21 1/2")	W 540 (21 1/4")	D 756 (29 3/4")
<b>Weight</b>			
<b>Model Type</b>	<b>Product Weight</b>	<b>Ship weight (approx.)</b>	
With catalytic converter	51 kg. (112 lbs)	53 kg. (116 lbs)	
Without catalytic converter	50 kg. (111 lbs)	52 kg. (115 lbs)	

## Features

<b>Configuration</b>	Countertop
<b>Stackable</b>	Yes, without kit
<b>Display</b>	71 (2.8") Color LCD
<b>USB Port</b>	Yes
<b>Internet Connectivity</b>	No
<b>Control System</b>	Touchpad
<b>Programmable Control</b>	Yes, 10 pads
<b>Braille</b>	Overlay available
<b>Settings Programmable</b>	100
<b>Temperature Range</b>	95°– 250°C (200°– 475°F)
<b>Microwave Distribution</b>	Rotating antennas, top
<b>Power Levels</b>	11
<b>Defrost</b>	Yes, microwave only, power level 2
<b>Time Entry Option</b>	Yes
<b>Stage Cooking</b>	Yes, 4 stages
<b>Air Filter</b>	Non-removable with cleaning reminder**
<b>Rack</b>	2 positions, 1 removable rack
<b>Door Handle</b>	Lift & Pull
<b>Exterior Finish</b>	Stainless steel
<b>Interior Finish</b>	Stainless steel

ACP, Inc. requires installing a type D circuit breaker for all high-speed oven installations.

Measurements are millimeters. Measurements in ( ) are US Standard

\* IEC 60705 Tested

\*\* Removable magnetic air filter accessory available (#AF10)

† Includes handle

‡ Catalytic convertor filters grease and odors from the air. This product conforms to the Ventless Operation Recommendations set forth by NFPA96 using EPA202 test method

## Electrical Configuration

Region	Model#/ UPC	Auto. Voltage Sensor	Max. Cooking Time	Catalytic Converter	Power Consumption	Power Output		Power Source	Plug Configuration	Cord Length	Frequency	Magnetron
						Microwave*	Convection					
Australia single phase	<b>JETS14A</b> 728028376968	No	20:00	No	2900W, 13A	1400W*	2700W	230V, 50Hz, 15A, single phase	Type 1 Australia	1.5m (5 ft.)	2450MHz	2
China single phase	<b>JETS14C</b> 728028244786	No	20:00	No	2900W, 13A	1400W*	2700W	220V, 50Hz, 16A, single phase	China 3-Pin Angle type	1.5m (5 ft.)	2450MHz	2
China single phase	<b>JETS14VC</b> 728028423020	No	20:00	Yes‡	2900W, 13A	1400W*	2700W	220V, 50Hz, 16A, single phase	China 3-Pin Angle type	1.5m (5 ft.)	2450MHz	2
India single phase	<b>JETS14I</b> 728028316056	No	20:00	No	2900W, 13A	1400W*	2700W	230V, 50Hz, 16A, single phase	BS546	1.5m (5 ft.)	2450MHz	2
Korea single phase	<b>JET14K</b> 728028376913	No	20:00	No	3200 W, 16A	1400W*	2700W	220V, 60Hz, 16A, single phase	KS approved Type F	1.5m (5 ft.)	2450MHz	2
Korea single phase	<b>JET14VK</b> 728028377071	No	20:00	Yes‡	3200 W, 16A	1400W*	2700W	220V, 60Hz, 16A, single phase	KS approved Type F	1.5m (5 ft.)	2450MHz	2
Taiwan multi phase	<b>JET14VT</b> 728028422931	No	20:00	Yes‡	3300W, 16A	1400W*	2700W	380V, 60Hz, 16A, 3phase	Direct Wire	1.5m (5 ft.)	2450MHz	2

Specification #:

AIA File #:



225 49th Ave. Dr. SW, Cedar Rapids, IA 52404 U.S.A.  
800-233-2366 • 319-368-8120 • Fax: 319-368-8198  
www.acpsolutions.com

Part No. 20271503

Updated 12/16/2019

© 2020 ACP, Inc., Cedar Rapids, Iowa 52404

an Ali Group Company



The Spirit of Excellence