



# SPECIFICATIONS

<b>Models</b>	<b>A = 3334SS STD</b>	<b>B = 3334SS-4003</b>	<b>C = 3334SS-4003FH (fixed head)</b>																																																																																																	
<b>Construction</b>	Unitized stainless steel base, tables, leg bolt levelers, carriage channel & supports																																																																																																			
	Aluminum head and door, removable		Stainless steel fixed head and door																																																																																																	
<b>Standard Eq.</b>	Two saw blades • Operation and Safety manual • Safety wall poster • Safety end cut pusher plate																																																																																																			
<b>Switch</b>	General purpose w/ thermal overload	Watertight magnetic, thermal overload and under voltage protection																																																																																																		
<b>Head and Door</b>	Aluminum: removable head • removable door		SS: fixed head • removable door																																																																																																	
<b>Base Structure</b>	Unitized welded, Stainless steel																																																																																																			
<b>Blade Std.</b>	124" (3150mm) L x 5/8" (16mm) W x .022 (.56mm) thick, 3 teeth per inch, hard tooth, (two supplied with each saw)																																																																																																			
<b>Blade Guide</b>	Upper and lower blade backup guide assemblies, with carbide long-life inserts, each removable as an assembly																																																																																																			
<b>Blade Tension</b>	Ratchet arm and cam against pound tested spring and tension spring gauge	Factory preset spring screw handle assembly																																																																																																		
<b>Blade Wheels</b>	16" (40.64cm) single flange, cast iron, nickel plating, upper wheel assembly removable																																																																																																			
<b>Bearings</b>	Heavy duty tapered roller bearings used in upper wheel hub and lower bearing housing																																																																																																			
<b>Catch Pan</b>	Poly Pan, rounded corners, sealed off from other parts of base, accessible through hinged door																																																																																																			
<b>Cleaning Unit</b>	Stainless steel body, long-life carbide guide inserts, steel saw cleaners, removable as a unit for easy cleaning (assembly also adjustable as a unit)																																																																																																			
<b>Drive System</b>	Non-slip silent V-belt, tension adjustable		Double V-belt, tension adjustable																																																																																																	
<b>Legs</b>	Stainless steel leg bolt levelers																																																																																																			
<b>Meat Carriage</b>	SS bearings, 1 1/2" (394mm) W x 2 3/2" (597mm) L, nylon guides	Larger stainless steel 8-bearings, EZ flow carriage 17 1/2" (444mm) W x 25-9/16" (649mm) L																																																																																																		
<b>Meat Gauge Plate</b>	Stainless steel faced, adjustable from 1/16" ( 1.6mm) to 6 1/2" (165mm), locks in position, easy to adjust, entire assembly removable for cleaning																																																																																																			
<b>Motor Compartment Platter</b>	Sealed off from meat contact areas, easily accessible through removable panel door  Held in place with two stainless steel push-pull hold down latches																																																																																																			
<b>Pusher Plate</b>	Safety end cut pusher plate and safety pusher plate storage hanger are supplied as standard equipment																																																																																																			
<b>Certifications</b>	U.L. • N.S.F. • U.S.D.A. • C.S.A. • C.F.I.A.																																																																																																			
<b>Weight: varies based on options</b>	Uncrated: 464 lbs. (210kg) Crated: 538 lbs (244kg)	Uncrated: 510 lbs. (231kg) Crated: 564 lbs (256kg)	Uncrated: 522 lbs. (237kg) Crated: 583 lbs (264kg)																																																																																																	
<b>Motors</b>	<table border="1" style="width: 100%; border-collapse: collapse; text-align: center;"> <thead> <tr> <th>HP</th> <th>KW</th> <th>TYPE</th> <th>VOLTS</th> <th>AMPS</th> <th>HERTZ</th> <th>PH</th> <th>CODE</th> <th>MODEL</th> </tr> </thead> <tbody> <tr><td>2</td><td>1.5</td><td>OP</td><td>115/208-230</td><td>28/15.5-14</td><td>60</td><td>1</td><td>STD</td><td>A</td></tr> <tr><td>2</td><td>1.5</td><td>OP</td><td>208-220/440</td><td>5.9-5.6/2.8</td><td>50/60</td><td>3</td><td>STD</td><td>A</td></tr> <tr><td>3</td><td>2.2</td><td>TEFC</td><td>115/208-230</td><td>33.6/18.6-16.8</td><td>60</td><td>1</td><td>STD</td><td>B,C</td></tr> <tr><td>3</td><td>2.2</td><td>TE</td><td>220/440</td><td>7.8/3.9</td><td>50/60</td><td>3</td><td>STD</td><td>B,C</td></tr> <tr><td>3</td><td>2.2</td><td>TEFC</td><td>220</td><td>12.5</td><td>50</td><td>1</td><td>EC</td><td>A,B,C</td></tr> <tr><td>5</td><td>3.7</td><td>TE</td><td>208-230/460</td><td>13.6-12.3/6.2</td><td>60</td><td>3</td><td>EC</td><td>A,B,C</td></tr> <tr><td>5</td><td>3.7</td><td>TE</td><td>190/380</td><td>15.2/7.6</td><td>50</td><td>3</td><td>EC</td><td>A,B,C</td></tr> <tr><td>5</td><td>3.7</td><td>TE</td><td>230/460</td><td>12.9/6.45</td><td>60</td><td>3</td><td>EC</td><td>A,B,C</td></tr> <tr><td>5</td><td>3.7</td><td>TE</td><td>575</td><td>5.44</td><td>60</td><td>3</td><td>EC</td><td>A,B,C</td></tr> </tbody> </table>								HP	KW	TYPE	VOLTS	AMPS	HERTZ	PH	CODE	MODEL	2	1.5	OP	115/208-230	28/15.5-14	60	1	STD	A	2	1.5	OP	208-220/440	5.9-5.6/2.8	50/60	3	STD	A	3	2.2	TEFC	115/208-230	33.6/18.6-16.8	60	1	STD	B,C	3	2.2	TE	220/440	7.8/3.9	50/60	3	STD	B,C	3	2.2	TEFC	220	12.5	50	1	EC	A,B,C	5	3.7	TE	208-230/460	13.6-12.3/6.2	60	3	EC	A,B,C	5	3.7	TE	190/380	15.2/7.6	50	3	EC	A,B,C	5	3.7	TE	230/460	12.9/6.45	60	3	EC	A,B,C	5	3.7	TE	575	5.44	60	3	EC	A,B,C	<b>A = 3334SS-2HP Std.</b> <b>B = 3334SS-4003-3HP Std.</b> <b>C = 3334SS-4003FH-3HP Std.</b>  EC = Extra Cost STD = Standard OP = Open TE = Totally Enclosed TEFC = Totally Enclosed Fan Cooled	
HP	KW	TYPE	VOLTS	AMPS	HERTZ	PH	CODE	MODEL																																																																																												
2	1.5	OP	115/208-230	28/15.5-14	60	1	STD	A																																																																																												
2	1.5	OP	208-220/440	5.9-5.6/2.8	50/60	3	STD	A																																																																																												
3	2.2	TEFC	115/208-230	33.6/18.6-16.8	60	1	STD	B,C																																																																																												
3	2.2	TE	220/440	7.8/3.9	50/60	3	STD	B,C																																																																																												
3	2.2	TEFC	220	12.5	50	1	EC	A,B,C																																																																																												
5	3.7	TE	208-230/460	13.6-12.3/6.2	60	3	EC	A,B,C																																																																																												
5	3.7	TE	190/380	15.2/7.6	50	3	EC	A,B,C																																																																																												
5	3.7	TE	230/460	12.9/6.45	60	3	EC	A,B,C																																																																																												
5	3.7	TE	575	5.44	60	3	EC	A,B,C																																																																																												
<b>Options (EC)</b>	Watertight Magnetic Switch (IPOS)		A	Front table extension 14 3/4" (375mm) x 15 3/4" (400mm)				A,B,C																																																																																												
	Stainless steel movable head and door (IPOS)		A,B	3 Wire (1ph.) or 4 wire (3ph.) 12ga. Cord less plug(specify length)				A,B,C																																																																																												
	Model 44, EZ flow SS carriage (IPOS)		A	Narrow blade guides (for thin blades)				A,B,C																																																																																												
	Double saw guide bar		A,B,C	Split rear stationary platter (fast blade change) (IPOS)				A,B,C																																																																																												
	Stainless steel stationary bar (IPOS)		A,B,C	Standard length legs w/ 2 1/4" (57.2mm) disc floor pads (IPOS)				A,B,C																																																																																												
	Full length SS front stationary table (IPOS) (see drwg. 2)		A,B,C	Longer SS hex legs to raise work surface height. (check with rep.) (IPOS)				A,B,C																																																																																												
	Meat gauge extended 6" (152mm) past blade (IPOS) (one stabilizer required)		A,B,C	Drwg. 1. Md 3334SS-TL - True left hand feed, movable SS head and door, less thickness gauge plate.				A,B																																																																																												
	Cast plated single flange lower removable saw blade wheel (IPOS)		A,B,C	Drwg. 2. Md 3334SS-Trim saw- right to left feed, stationary front table, optional meat gauge assembly.				A,B,C																																																																																												
	Cast plated double flange (upper & lower) saw blade wheels (IPOS) <i>Note: lower not removable</i>		A,B,C	Drwg. 3. Md 3334SS-TL-Trim saw True left to right feed, stationary front table, movable SS head and door, less meat gauge assembly				A,B																																																																																												
	Cast plated double flange (upper & lower) removable saw blade wheels (IPOS)		A,B,C	Drwg. 4. Md 3334SS-4003-PC- Portion control- Std. right to left feed, movable SS head and door, micro gauge fence.				B,C																																																																																												
	SS single flange (upper & lower) saw blade wheels (IPOS). <i>Note: lower not removable</i>		A,B,C	Drwg. 5. Md 3334SS-4003LP-PC- Portion control- Std. right to left feed, movable low profile SS head, special meat thickness gauge plate.				A,B																																																																																												
	SS single or double flange (upper & lower) removable saw blade wheels (IPOS).		A,B,C	Waterjet blade cleaning system (check with Rep.)				B,C																																																																																												

**Options (NC)  
Legend**

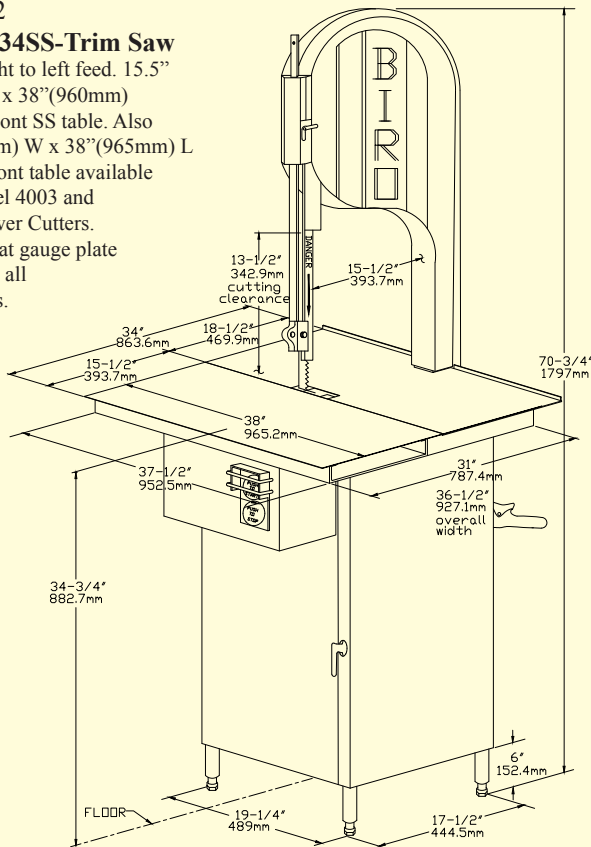
Higher feet per minute saw blade speed (call your Representative)  
 SS=stainless steel • IPOS=in place of standard • drwg.=drawing • ga.=gauge • EC=extra cost • NC=no charge  
*All specifications contained herein are subject to change without notification.*



**Drawing 2**

**Model 3334SS-Trim Saw**

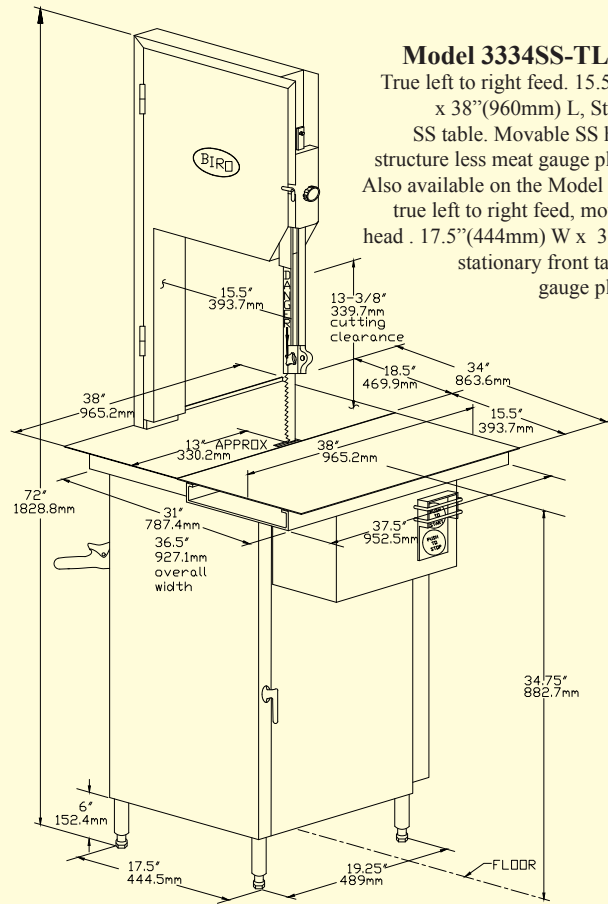
Standard right to left feed. 15.5" (393mm) W x 38"(960mm) Stationary front SS table. Also 17.5"(444mm) W x 38"(965mm) L stationary front table available for the Model 4003 and 4003FH Power Cutters. Optional meat gauge plate available for all these models.



**Drawing 3**

**Model 3334SS-TL Trim Saw**

True left to right feed. 15.5"(393mm) W x 38"(960mm) L, Stationary front SS table. Movable SS head and door structure less meat gauge plate assembly. Also available on the Model 3334SS-4003 true left to right feed, movable or fixed head. 17.5"(444mm) W x 38"(965mm) L stationary front table, less meat gauge plate assembly.

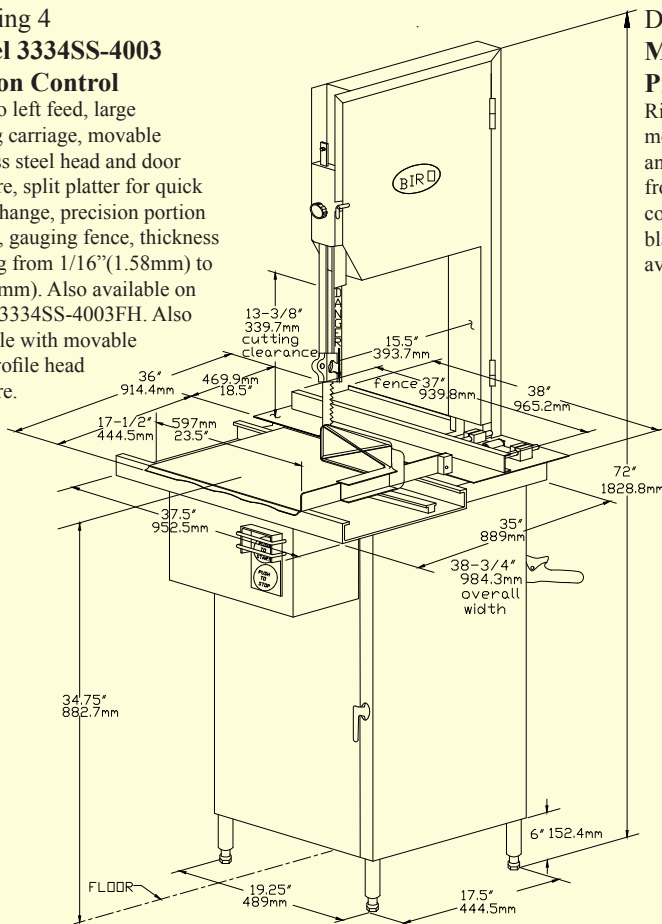


**Drawing 4**

**Model 3334SS-4003**

**Portion Control**

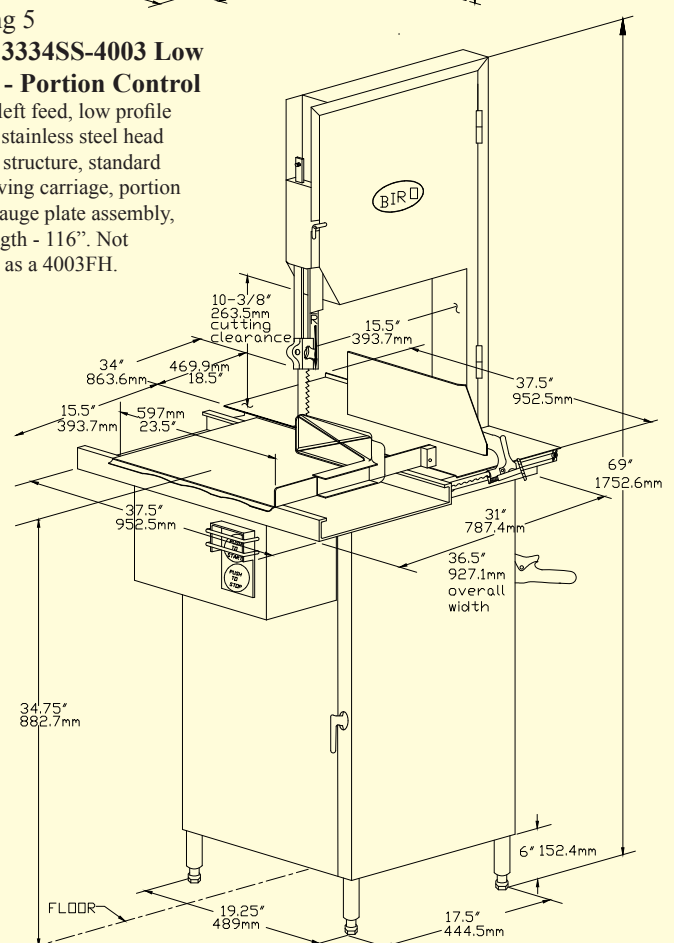
Right to left feed, large moving carriage, movable stainless steel head and door structure, split platter for quick blade change, precision portion control, gauging fence, thickness opening from 1/16"(1.58mm) to 6"(152mm). Also available on Model 3334SS-4003FH. Also available with movable Low Profile head structure.



**Drawing 5**

**Model 3334SS-4003 Low Profile - Portion Control**

Right to left feed, low profile movable stainless steel head and door structure, standard front moving carriage, portion control gauge plate assembly, blade length - 116". Not available as a 4003FH.



**BIRO MANUFACTURING COMPANY**  
 1114 WEST MAIN STREET  
 MARBLEHEAD, OH 43440-2099 U.S.A.

Phone: (419) 798-4451  
 Fax: (419) 798-9106

www.birosaw.com  
 sales@birosaw.com

ITEM NO.: LIT-3334SERIES-339  
 FORM NO.: Md 3334SS-339-8-15-4-B

Service is available from locations worldwide