



## DRINK MACHINE TWO-SPEED

### Durable and Efficient Blending

The Drink Machine Two-Speed is the reliable blender when powerful, functional, blending is needed. With manually-controlled two-speed capability, the Drink Machine Two-Speed will flawlessly create delicious frozen coffee drinks, fruit smoothies, granitas, shakes and more.

### Smart Product Design

- Blades create enough torque to crush 64 oz. of cubed ice in seconds
- Powerful, thermally-protected motor handles dense ingredients without overheating
- Clear, durable 64 oz. container pulls ingredients into the blades for efficiency and better speed of service

### Licuar de manera duradera y eficaz

La Drink Machine Two-Speed es la licuadora más confiable cuando se necesita licuar con gran potencia y funcionalidad. Con su capacidad de dos velocidades de control manual, la Drink Machine Two-Speed creará sin errores deliciosas bebidas heladas con café, licuados de frutas, granizados, batidos y mucho más.

### Diseño inteligente de producto

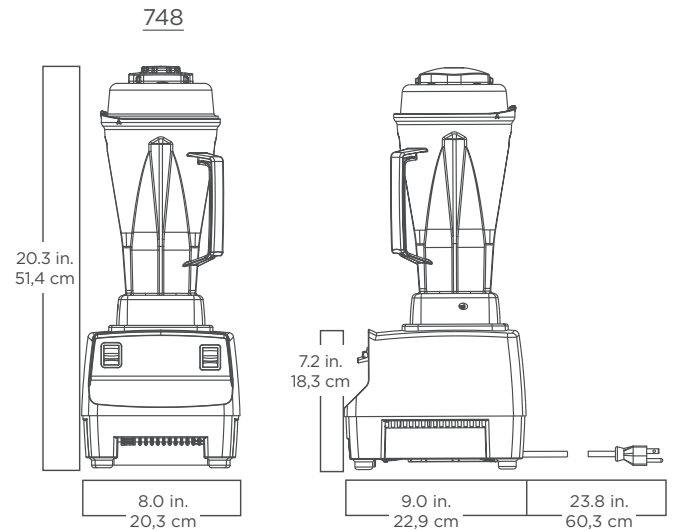
- Las cuchillas generan suficiente torsión para aplastar 2,0 L de cubos de hielo en segundos
- El potente motor, con protección térmica, procesa ingredientes espesos sin sobrecalentarse
- El vaso de 2,0 L, transparente y duradero, atrae los ingredientes hacia las cuchillas para lograr mayor eficiencia y velocidad de trabajo



Drink Machine Two-Speed

Item Number: 768  
 Motor: ≈2 peak output horsepower motor  
 Electrical: 220 - 240 V, 50 Hz  
 Pack: Includes Drink Machine Two-Speed with 2,0 L high-impact, clear/stackable container complete with blade assembly and lid, and grey base.  
 Net Weight: 12.2 lbs. (13.8 lbs. with box)  
 Dimensions: 20.3 x 8.0 x 9.0 in. (H x W x D)

Made in the U.S.A. with a minimum of 70% U.S.A. content.



Where Applicable / Según Corresponda:

