

| PROJECT | QUANTITY | ITEM NO |
|---------|----------|---------|
|---------|----------|---------|

Display Counter Warmers

Pass-through service, dry + humidified

CWH 23 5 pan
CWH 35 8 pan
 Two tier



CWH 23 display counter warmer with flip-up doors for pass-through service

Henny Penny display counter warmers are designed for accumulating, holding and displaying hot fresh food for serving or packing at the point of sale in retail foodservice operations.

The CWH 23 and CWH 35 two tier units feature high product visibility, convenient pass through service and both dry and humidified operation.

Two separately heated tiers enable different holding environments, giving operators the versatility to hold and display a variety of menu items at the same time. Lower tier is humidified by a heated, auto-fill reservoir in the base. Upper tier operates with dry radiant heat only. Temperatures for each tier are controlled separately.

Tough acrylic flip up doors offer excellent product visibility and convenient pass-through access—a must for high-volume service.

Units are built from high quality stainless steel and are insulated for energy efficient operation.

Standard features

- Scratch resistant acrylic flip-up door panels for see-through, pass-through operation
- Two-tier design available in 5 or 8 pan capacity
- Lower tier humidified operation
 - Full length water reservoir with automatic or manual fill
 - Two water well strip heaters
 - Water temperature display and control
 - Low water indicator light
 - Drain tube prevents water well overflow
- Long-lasting sheath radiant heaters provide direct heating over food
- Lower element heaters under pans
- Separate controls for upper and lower tier heat, water temperature
- Insulated top and bottom for energy efficient operation
- Incandescent lighting for appealing food presentation
- Removable access panels for easy service
- Stainless steel construction for easy cleaning and long life

| | | |
|-----------------------------------|--|-----------------------------------|
| <input type="checkbox"/> APPROVED | <input type="checkbox"/> APPROVED AS NOTED | <input type="checkbox"/> RESUBMIT |
| AUTHORIZED SIGNATURE | | DATE |



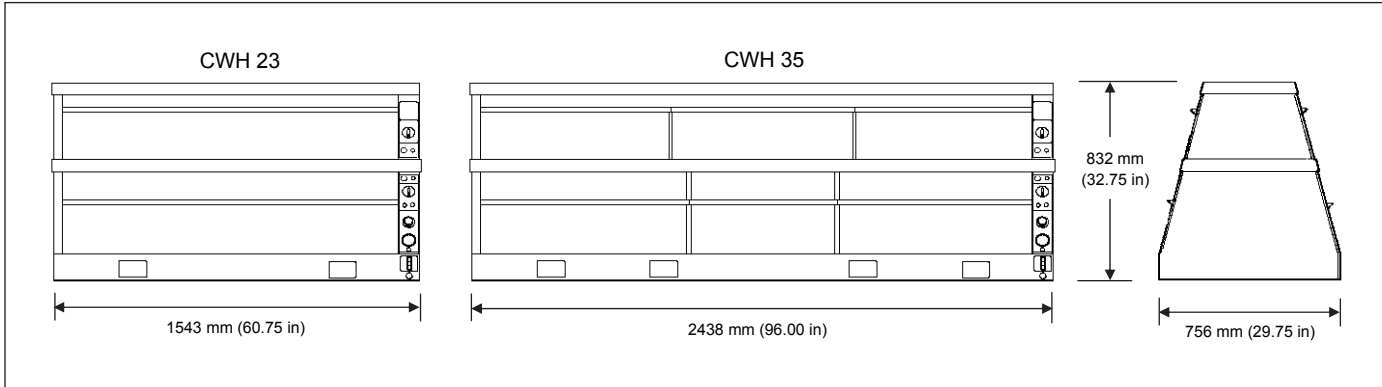
PROJECT

ITEM NO

Display Counter Warmers

Pass-through service, dry + humidified

CWH 23 5 pan
CWH 35 8 pan
 Two tier



| | CWH 23 | | CWH 35 | |
|-------------------|--|-----------------------|-------------------------|-----------------------|
| Dimensions | | | | |
| Height | 832 mm | (32.75 in) | 832 mm | (32.75 in) |
| Width | 1543 mm | (60.75 in) | 2438 mm | (96.00 in) |
| Depth | 756 mm | (29.75 in) | 756 mm | (29.75 in) |
| Crated | | | | |
| Length | 1580 mm | (62 in) | 2500 mm | (99 in) |
| Depth | 830 mm | (33 in) | 960 mm | (38 in) |
| Height | 990 mm | (39 in) | 1040 mm | (41 in) |
| Volume | 1.3 m ³ | (46 ft ³) | 2.5 m ³ | (89 ft ³) |
| Weight | 147 kg | (335 lb) | 260 kg | (594 lb) |
| Capacity | Full-size sheet pans 457 x 660 mm (18 x 26 in) | | | |
| Lower tier | 3 sheet pans lengthwise | | 5 sheet pans lengthwise | |
| Upper tier | 2 sheet pans crosswise | | 3 sheet pans crosswise | |
| Humidity | Auto fill water pan with 0.25 in cold water connection + drain | | | |
| Lower tier | 38 L (10 gal) reservoir | | 57 L (15 gal) reservoir | |

Bidding specifications

Provide Henny Penny model CWH 23 or CWH 35 two-tier display counter warmer designed to accumulate, hold and display freshly cooked food for pass-through service.

Unit shall incorporate:

- Upper tier radiant heat, dry operation
- Lower tier humidified operation with full length auto-filled reservoir
- Scratch resistant acrylic flip up panels enabling product access from both sides for pass-through service
- Separate controls for upper tier heat, lower tier heat, and water temperature
- Stainless steel interior and exterior construction
- CWH 23 capacity for 5 sheet pans, CWH 35 capacity for 8 sheet pans

Required clearances N/A

| Electrical | | | CWH 23 | | CWH 35 | | Wire* |
|------------|-------|-------|--------|------|--------|------|-------|
| Volts | Phase | Hertz | kW | Amps | kW | Amps | |
| 380-415 | 3 | 50/60 | 4.47 | 6.2 | 8.92 | 12.4 | 4+G |

*Power cord and plug must be installed on site by a qualified electrician.

Continuing product improvement may subject specifications to change without notice.

Henny Penny Suzhou Corporation
 No. 9 Hengpu Lane, Qingqiu Avenue
 SIP, Suzhou, China (215126)

+86 512 89180268
 +86 512 89180270 Fax

www.hennypenny.com

HENNY PENNY
 Engineered to Last