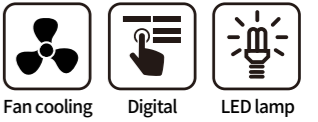


# REACH-IN REFRIGERATOR / FREEZER



SRT25-2 / SRT25-2P  
SFT25-2 / SFT25-2P

SRT45-4 / SRT45-4P  
SFT45-4 / SFT45-4P

SRT65-6 / SRT65-6P  
SFT65-6 / SFT65-6P

SRT25-1 / SRT25-1P  
SFT25-1 / SFT25-1P

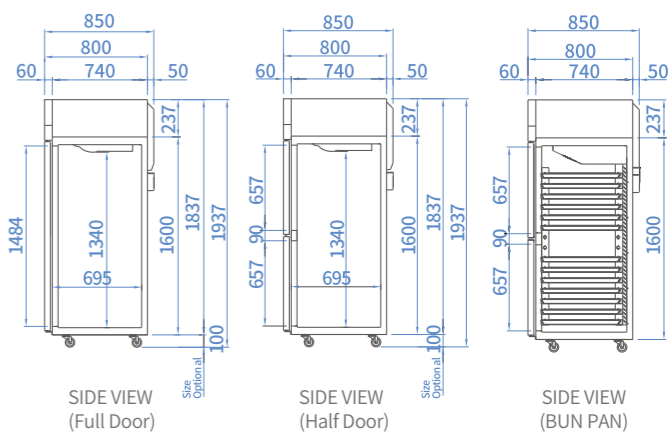
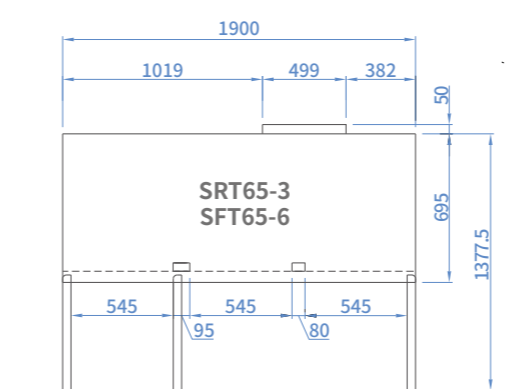
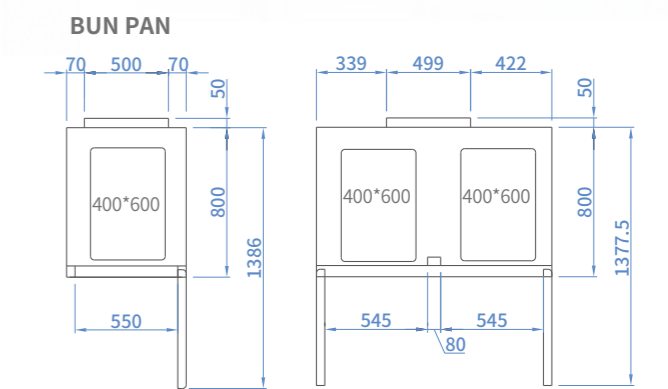
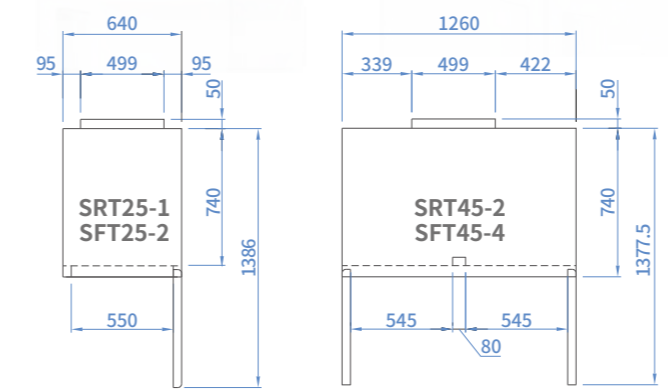
SRT45-2 / SRT45-2P  
SFT45-2 / SFT45-2P

SRT65-3 / SRT65-3P  
SFT65-3 / SFT65-3P



**# of BUN PAN**  
25 model : 13ea  
45 model : 26ea  
65 model : 39ea

MODEL	SRT25-1 SFT25-1	SRT25-2 SFT25-2	SRT45-2 SFT45-2	SRT45-4 SFT45-4	SRT65-3 SFT65-3	SRT65-6 SFT65-6
Classification	Refrigerator / Freezer					
Inner Temperature (°C)	-2~ 8 / -21 ~ -12					
Refrigerant	R-134a / R-404a					
Cabinet dimension (WxDxH mm)	640 x 850 x 1937		1260 x 850 x 1937		1900 x 850 x 1937	
Capacity (ℓ)	507	507	1090	1090	1686	1686
Insulation Type	Polyurethane / Cyclopentane + CFC Free					
Amps (A)	2.8 / 3.5	2.8 / 3.5	3.5 / 3.5	3.5 / 5.3	6 / 8.5	6 / 8.5
Voltage (V/Hz/Ph)	220 / 50 / 1					
Weight (Kg)	77 / 80	77 / 80	142 / 142	142 / 142	167 / 167	167 / 167
Power (W)	314 / 496	314 / 496	366 / 774	366 / 774	732 / 1346	732 / 1346
# of doors	1	2	2	4	3	6
Compressor (HP)	1/4 2/3	1/4 2/3	1/3 1	1/3 1	3/4 3/4 x 2	3/4 3/4 x 2
# of Shelves	3	3	6	6	9	9



DISPLAY PRODUCT  
REACH-IN  
UNDER COUNTER  
ICE MAKER  
SPECIAL MODEL  
BAKING LINE  
DISH WASHER